

Product number	Description
mini-GoPLe-10-20	13 mm. pressure transmitter 0-10m (Signal 4-20mA) with 20 mtr. PUR cable.
mini-GoPLe-30-35	16 mm. pressure transmitter 0-30m (Signal 4-20mA) with 35 mtr. PUR cable.
mini-GoPLe-30-50	16 mm. pressure transmitter 0-30m (Signal 4-20mA) with 50 mtr. PUR cable.
mini-GoPLe-4-10	19 mm. pressure transmitter 0-10m (Signal 4-20mA) with 10 mtr. PUR cable.



# Mini-GoPLe Quickguide

## About mini GoPle

ACOWA mini-GoPle is a level pressure transmitter with a diameter of 13mm, 16mm or 19mm.

The mini-GoPle is a precise 2-wire transmitter with a silicon piezo-resistive measurement system and a sensor membrane in AISI316 stainless steel.

ACOWA Mini-GoPle is calibrated and uses both atmospheric pressure and temperature compensation in its amplifier circuit to translate the absolute pressure of the measurement medium to a precise standard voltage or current signal.

## Applications

ACOWA Mini-GoPle is designed for use in water supply and waste water applications.

- Hydraulic monitoring
- Deep well level measurement
- Liquid measuring for city water supply
- Sewage treatment
- Tank level monitoring
- Water-saving irrigation
- Ground water monitoring

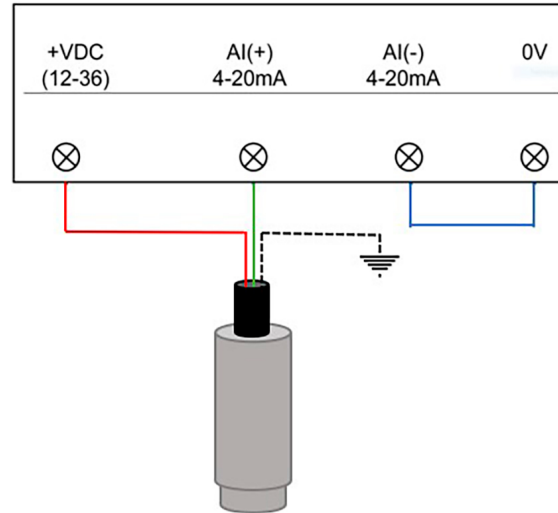
## Features

- Diameter: Ø13mm, Ø16mm or Ø19mm
- Long service life.
- Silicon Piezo-resistive measuring cell
- CE certificate.
- PUR Cable

## Installation and specifications

For installation of the mini-GoPle, the following specifications may be required.

NOTE! Mini-GoPle is not EX-rated and therefore cannot be used for installation in EX areas.



<b>Pressure medium</b>	Liquid compatible to stainless steel
<b>Pressure ranges</b>	0-0.5m - H20-200m
<b>Output signal</b>	4-20mA, (0.4-4,5V, 0-10V) option
<b>Accuracy</b>	0.5% FS (standard)
<b>Long term stability</b>	0.2% FS/år
<b>Operating temperature</b>	0 - +100°C
<b>Supply voltage</b>	10 - 28V DC
<b>Enclosure class</b>	IP68
<b>Material of wetted part and housing</b>	AISI 304 stainless steel
<b>Material of pressure membrane</b>	AISI 316 stainless steel
<b>Size</b>	Ø13mm L=110 - Ø16mm, Ø19mm L=140mm
<b>Cable</b>	PUR cable

